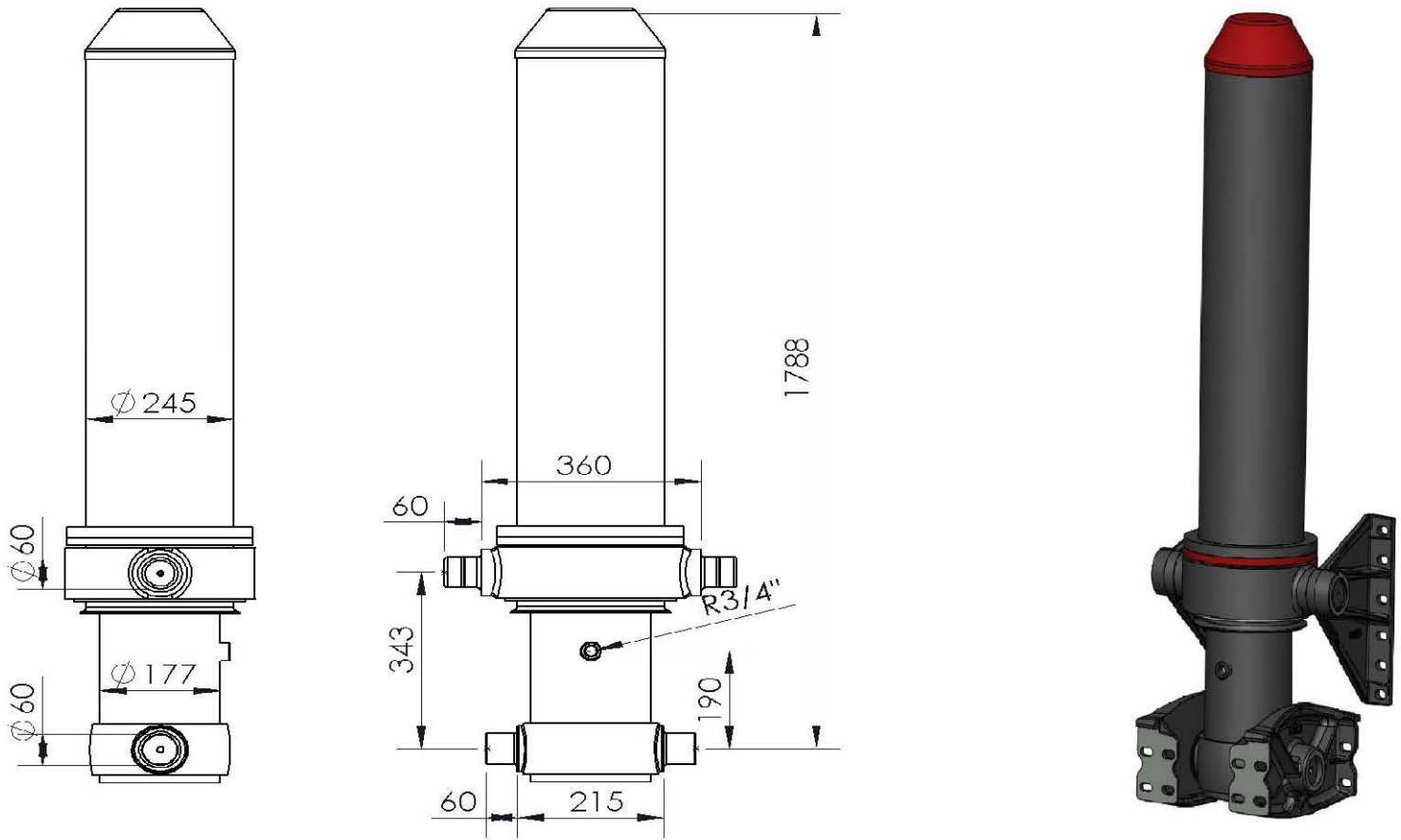
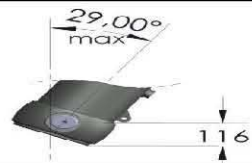


SINGLE ACTING FRONT END CYLINDER

154,5-5-7100 H



TECHNICAL SPECIFICATIONS



Working volume [Its]	87
Max.Working Pressure[bar]	250
Weight(cylinder)[kgs]	311
Min-Max.Cylinder Capacity [to]	30-40

Stage no	1	2	3	4		Total stroke
Ø Stage [mm]	Ø154,5	Ø135	Ø116	Ø98	Ø80	
Stroke [mm]	1420	1420	1420	1420	1420	7100

This cylinder is used to lift up dampers that is loaded different materials, loads must be centered.

Cylinders should not be used as a main structural purposes be subject to side loads.

Cylinder should be mounted regarding to the instruction that are shown in technical design with working angle description.

Cylinder should not have more than 29 degree angles to return backside.

Cylinder is a cold drawn, seamless tubes which is ST52, E355, DIN2391 BK+S, E10305-2 standarts.

Each stage tubes that is chrome coated with 20 micron, should be protected against the paints and chemicals.

Working temperature is between -40 C and 100 C

Painted by qualified acrylic materials.

Load capacity described by technical specifications.

Warranty is valid under the working principles and technical specification.